



Specification and Installation Guide

For Frameless Stepped Roof Lights

Skyseal.com



Feel *brighter* inside

Features	03
Why Buy Skyseal® Roof Lights?	04
Skyseal® Frameless Flat Glass	05
Delivery and Installation	06
Flat Roof Installation Guide	07
Installation Guide (<i>Flat</i>)	08
Construction for Roof Light and Upstand (<i>Flat</i>)	10
Installation Guide (<i>Pitched</i>)	11
Construction for Roof Light and Upstand (<i>Pitched</i>)	13
Contact	Back Cover

Features

All our units are manufactured using **Reflex®** energy glass, featuring a toughened easy clean coated outer pane, with a high specification Low-E inner pane.

Suitable for flat and pitched roofs between 5 and 30 degrees.

Manufactured to internal dimensions (*structural opening size*) for ease of measurement.

Easy clean glass on all products as standard, keeps glass cleaner for longer and reduces manual cleaning efforts.

Ceramic border protects the glass seals from UV damage.

All Reflex® Double and Triple Glazed performance units feature a twenty year unit seal warranty from the date of invoice.

Sizes Available

Available in 16 sizes as standard in both double and triple glazed versions. Bespoke sizes available upon request.

Lengths (mm)	600	900	1000	1200	1500	1800	2000
400mm Width			◆				
600mm Width	◆	◆		◆		◆	
750mm Width			◆	◆	◆	◆	◆
1000mm Width			◆		◆		
1200mm Width				◆	◆		◆

*To fit opening size. **Full warranty information, visit www.skyseal.co.uk

Premium Construction

British Made

British design and manufactured, hand crafted construction with a market leading 20 year unit seal warranty.

All our units are manufactured on site with our manufacturing partner. The unit seals are 80% deeper than the industry standard. The deeper the seal the longer the unit life. Our unit seals have a standard life expectancy of 30 years.

Double Glazed

U-value of 1.1 W/m²K

The Skyseal® Frameless Double-Glazed unit has a 28mm profile constructed from:

- ◆ 6mm toughened with ceramic toughened black border stepped outer.
- ◆ 16mm Argon cavity with black super spacer and bostik hotmelt seals 80% deeper than industry standard.
- ◆ 6mm toughened low e-soft coat inner

See diagram on next page.

Triple Glazed

U-value of 0.6 W/m²K

The Skyseal® Frameless Triple-Glazed unit has a 50mm profile constructed from:

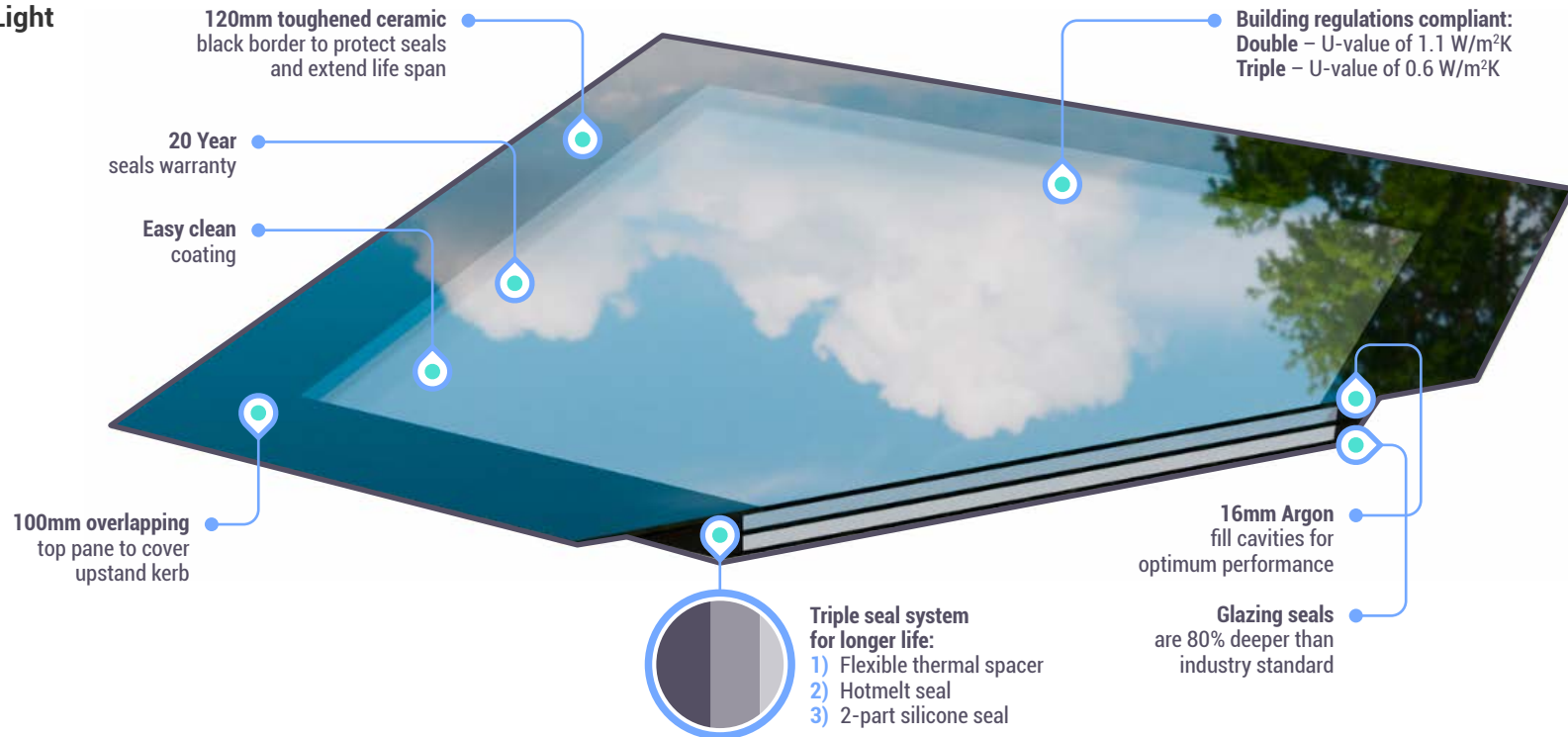
- ◆ 6mm toughened with ceramic toughened black border stepped outer
- ◆ 16mm Argon cavity with Black super spacer and Bostik hotmelt seals 80% deeper than industry standard.
- ◆ 6mm toughened low e-soft coat inner pane
- ◆ 16mm Argon cavity with Black super spacer and Bostik hotmelt seals 80% deeper than industry standard.
- ◆ 6mm toughened low e-soft coat inner

See diagram on next page.

Why Buy Skyseal® Roof Lights?

The Double or Triple Glazed Frameless Flat Glass Roof Light

Double-Glazed Frameless Roof Light



MADE IN BRITAIN 



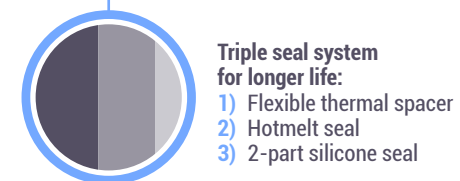
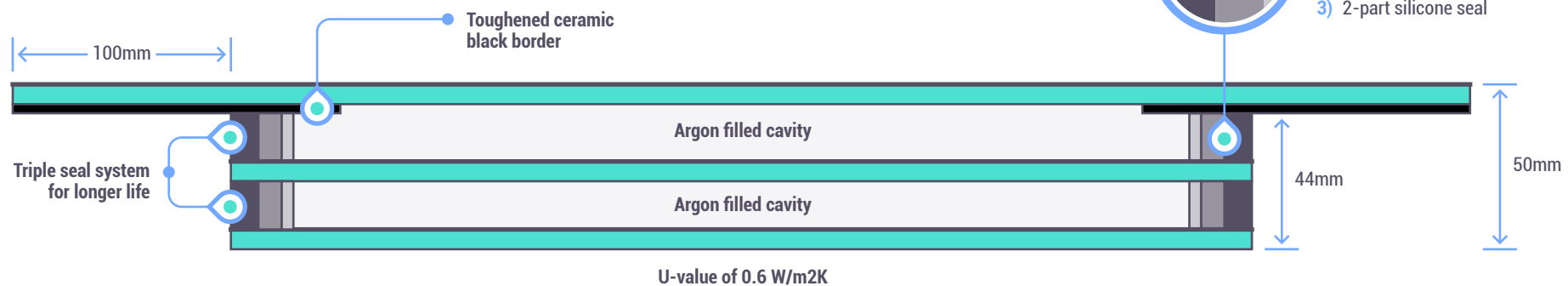
Flat and pitched roof compatible (5–30°)

Skyseal® Frameless Flat Glass

Double-Glazed Frameless Roof Light



Triple-Glazed Frameless Roof Light



Delivery and Installation

UK Delivery

All deliveries can be made direct to site, anywhere in the UK. Using our own fleet vans, our team of experienced drivers will call you within 24 hours of placing the order and the driver will call the customer on the day of delivery when they are an hour away from site before they arrive.

For Cornwall, Devon, Scotland and some remote areas 3rd party couriers may be used.

Lead times as follows:

UK mainland: 3-5 working days

Scotland: 5-7 working days

**Cornwall
Devon**

Fast Installation

In addition to your new Skyseal® Frameless rooflight you will need:

- ◆ Silicone Adhesive: **Dowsil® 791.**
- ◆ Mastic Gun applicator.
- ◆ Glass Suction lifting handles for larger units.
- ◆ Materials and tools to construct and prepare a timber kerb.

Please take precautions when moving and lifting heavy objects and working at height. Make sure to use the correct equipment and ensure sufficient people are available to lift the roof light onto the roof and into position on the timber kerb.

Skyseal® Guide

Size (mm)	Double Glazed Weight (kg)	Triple Glazed Weight (kg)
400 x 1000	25	32
600 x 600	22	30
600 x 900	31	42
600 x 1200	40	54
600 x 1800	58	80
750 x 1000	41	57
750 x 1200	48	65
750 x 1500	59	81
750 x 1800	69	95
750 x 2000	76	106
1000 x 1000	52	72
1000 x 1500	75	105
1000 x 2000	98	138
1200 x 1200	73	102

Please note: Weights stated can vary. Work to a tolerance of +/- 10%.



Flat Roof Installation Guide

Building Regulations

All building materials used and construction work carried out should be completed in accordance with Building Regulations Part L.

Part L is a set of regulations that deals with the conservation of fuel and power in buildings. Part L sets out the thermal efficiency requirements for new and existing buildings.

If in any doubt, please consult your local build control for advice before starting any work.

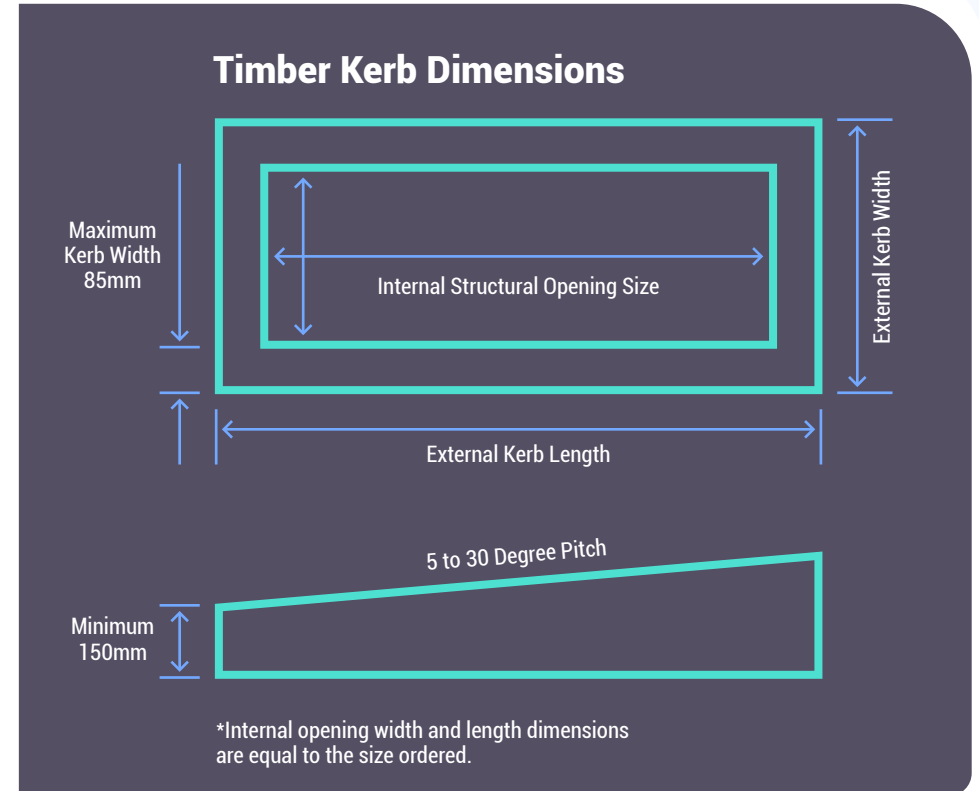
Step 1 – Constructing the Timber Kerb

An upstand built on site should have a maximum U-value of $0.35W/(m^2 \cdot K)$. The lower the U-value the better the thermal performance is.

Construct an 85mm (*max*) wide timber kerb for your roof light. This should be a minimum of 150mm in height at the lowest point from the finished roof level.

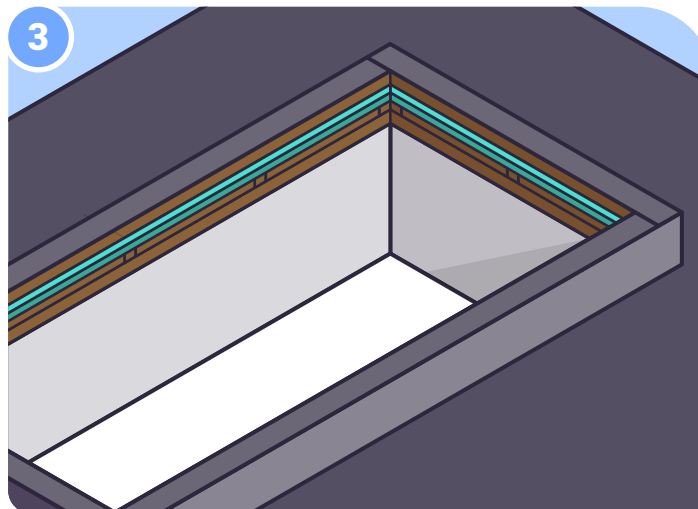
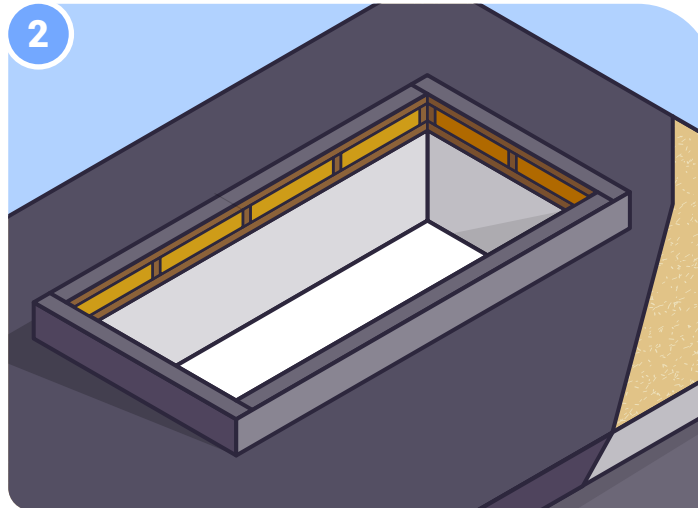
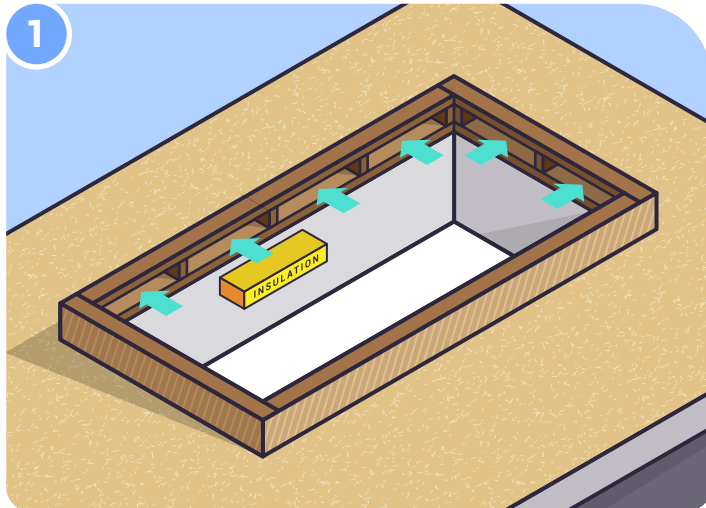
The internal dimensions of the structural opening should match the size of the specified Skyseal® Frameless roof light. E.g. a 600mm x 600mm roof light will require a structural internal opening of 600mm x 600mm.

Your roof light needs to be pitched at a minimum of 5 degrees to allow water run-off. If your roof does not have this pitch, build the angle into your timber kerb. We recommend that you run the fall across the width or 'shorter side' of the roof light when building an angled kerb, as the fall will be less noticeable, which will improve the internal and external aesthetics.



Example of a 5-degree minimum pitch: This equates to a grade of 1:11.5. E.g. a roof light with 1000mm width will require a fall of 87mm.

Installation Guide (Flat)

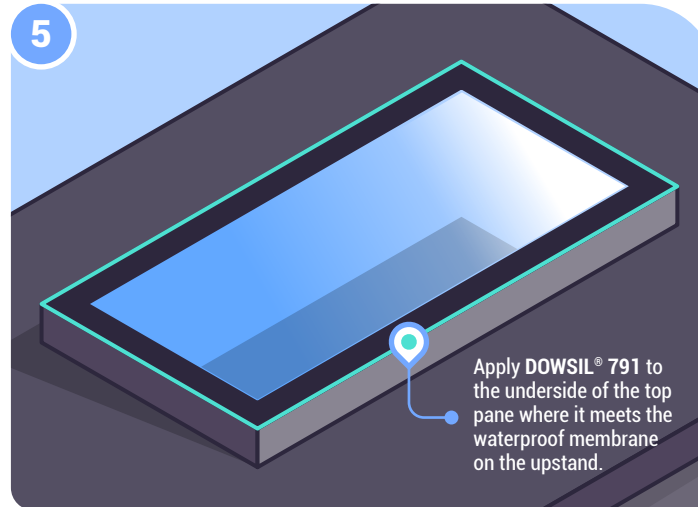
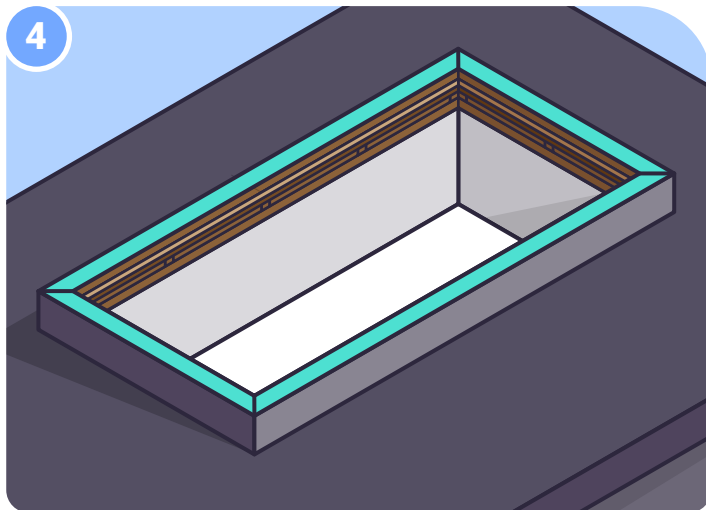


Step 1 | Construct your insulated timber upstand as described in the previous section.

Step 2 | Install your chosen waterproof covering making sure you waterproof both the vertical upstand and horizontal areas, across the top surface of the upstand as per the manufacturer's guidelines.

Step 3 | Install a timber batten (*minimum 25mm wide*) to support the roof light on the inside of the upstand kerb. The timber batten should be installed the correct height from the top of the waterproof layer on top of the upstand. (*28mm for double glazed and 44mm for triple glazed*).

Installation Guide (Flat)



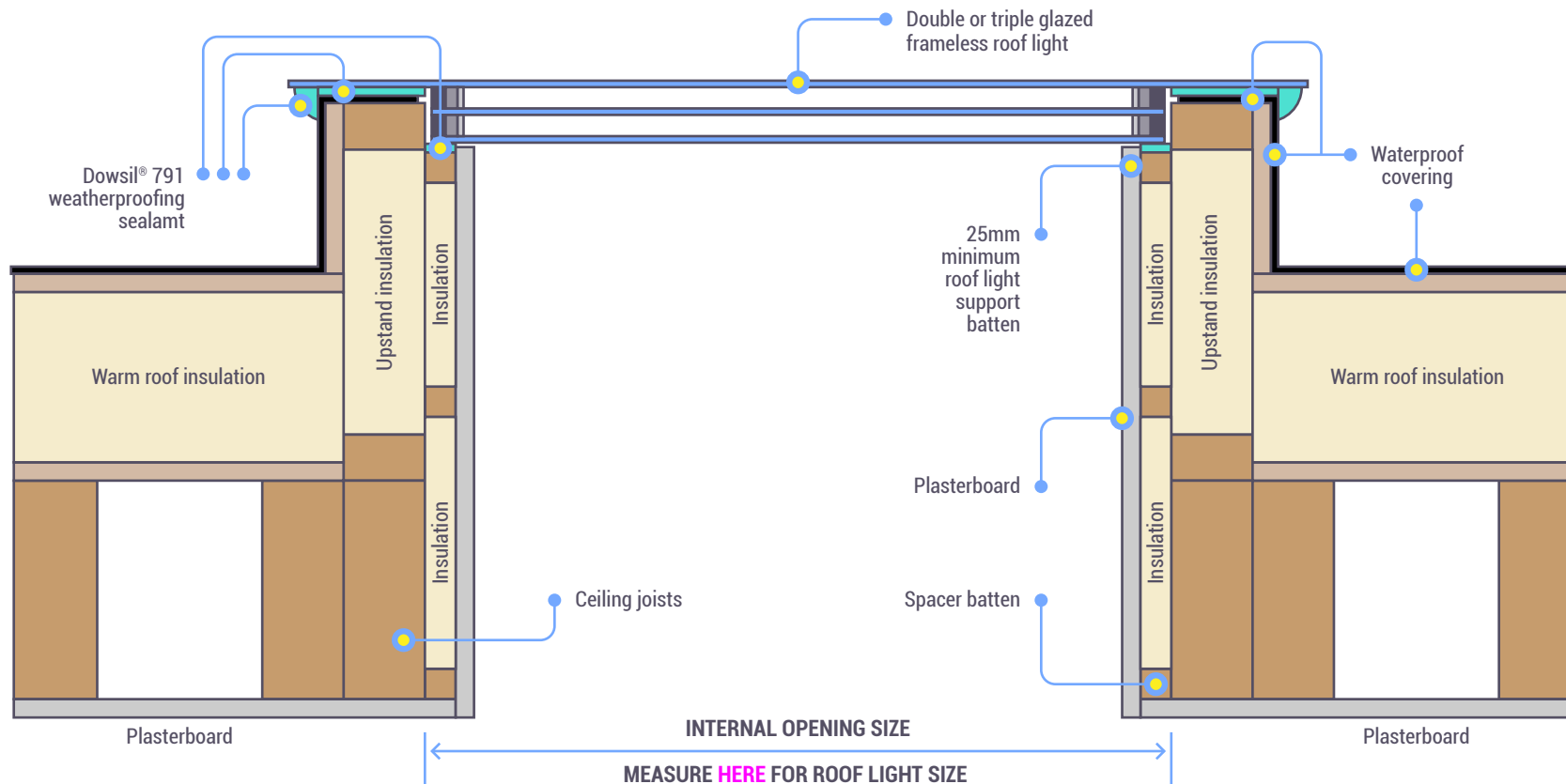
Step 4 | Apply a bead of **DOWSIL® 791** to:

- 1) The bottom inner pane support batten.
- 2) Directly to the waterproof membrane on the top of the upstand (**area marked in green**).

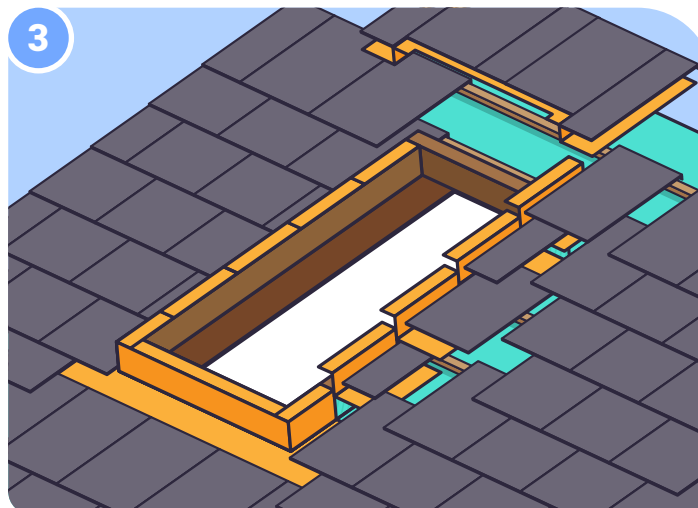
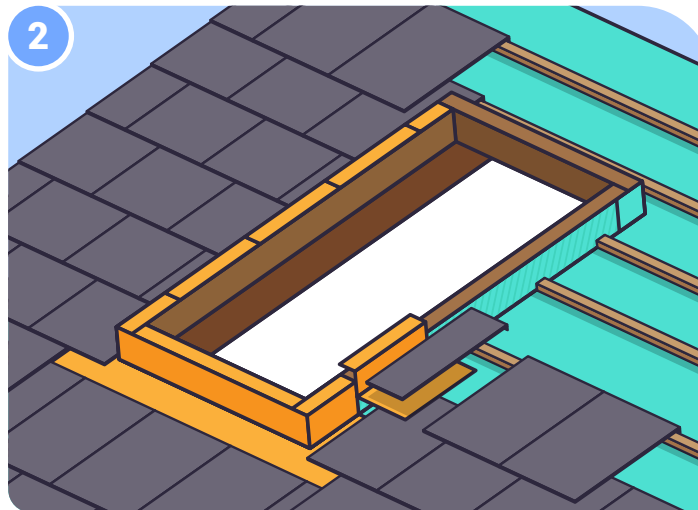
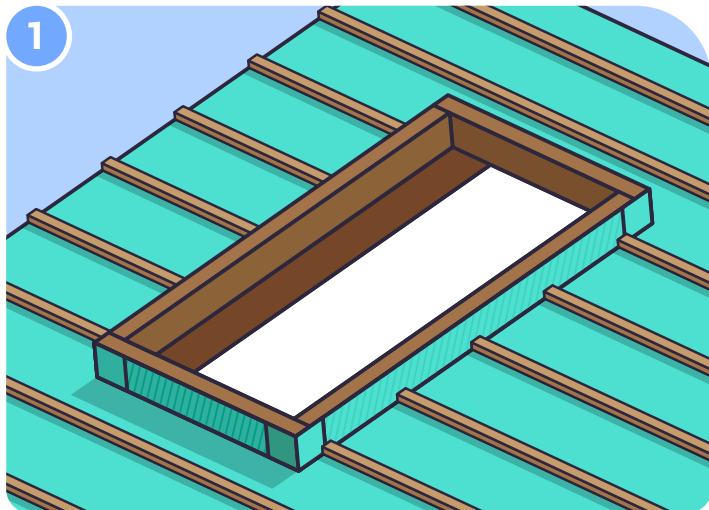
Step 5 | Carefully lift the Skyseal® frameless roof light into position. Ensure that the roof light beds equally onto the **DOWSIL® 791** waterproof sealant.

Apply a bead of **DOWSIL® 791** silicone to the underside of the rooflight where it meets the waterproof upstand as a secondary protection against water penetration.

Construction for Roof Light and Upstand (Flat)



Installation Guide (Pitched)



Step 1 | Construct your roof to current building regulations, doubling up on rafters as necessary to support the span.

Install a timber upstand ensuring that the internal size matches your purchased rooflight size.

Install the breather membrane and roofing battens paying special attention to the corner details on the upstand.

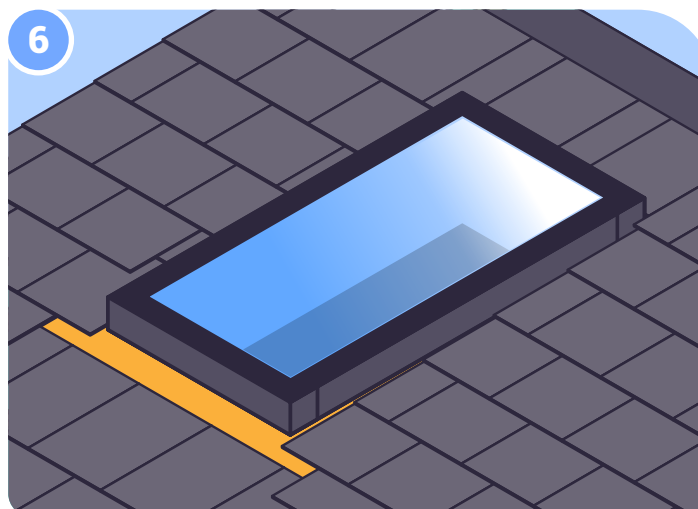
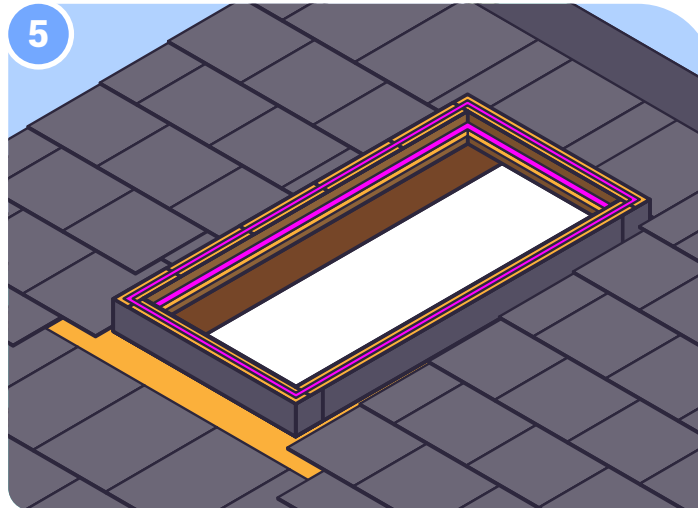
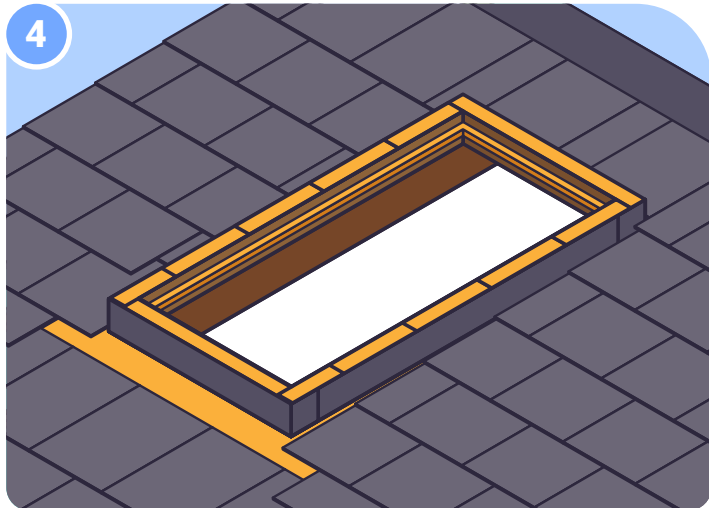
Step 2 | Your soakers are cut from a roll of **DEKS Fast Flash**, or similar and installed to create a waterproof barrier where the tiles end, and the upstand is visible.

The soaker must be run onto the top of the timber upstand.

The soakers are installed between the tiles as they are cut and laid, in the same way as a chimney flashing.

Step 3 | Continue the process of installing the tiles and soakers until they are all installed.

Installation Guide (Pitched)



Step 4 | Install a timber batten (**minimum 25mm wide**) to support the roof light on the inside of the upstand kerb. The timber batten should be installed the correct height from the top of the waterproof layer on top of the upstand. (28mm for double glazed & 44mm for triple glazed).

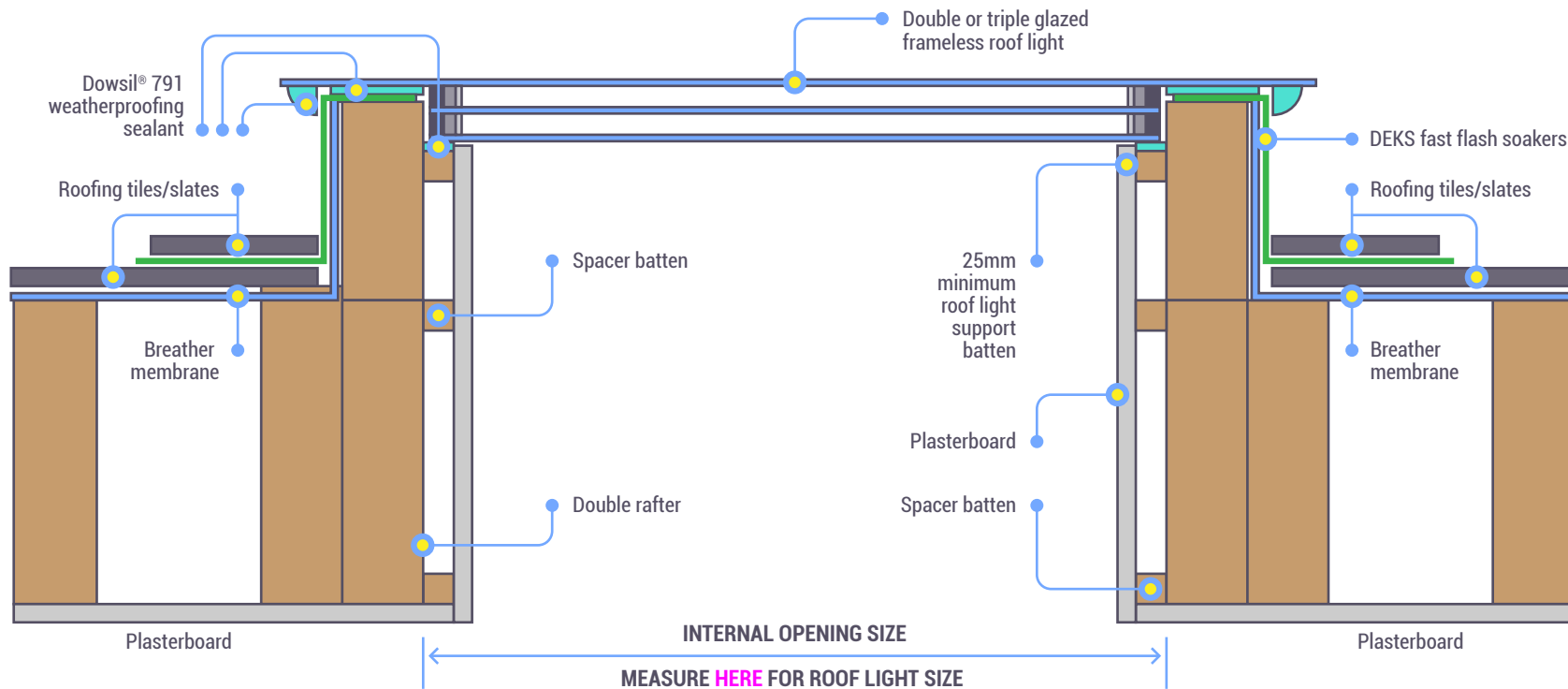
Step 5 | Apply a bead of **DOWSIL 791** to:

- 1) The bottom inner pane support batten (**marked in green**).
- 2) Directly to the flashing on the top of the upstand (**marked in green**).

Step 6 | Carefully lift the Skyseal® frameless roof light into position. Ensure that the roof light beds equally onto the DOWSIL 791 waterproof sealant.

Apply a bead of DOWSIL 791 Silicone to the underside of the rooflight where it meets the waterproof upstand as a secondary protection against water penetration.

Construction for Roof Light and Upstand (Pitched)





Contact

Support Service:

02476 707 700

Monday – Friday

8am – 4:30pm

sales@skyseal.co.uk

Optagon Ltd t/a Skyseal

Unit 4 Swallowgate Business Park

Holbrook Lane

Coventry CV6 4BL

United Kingdom

Skyseal.com